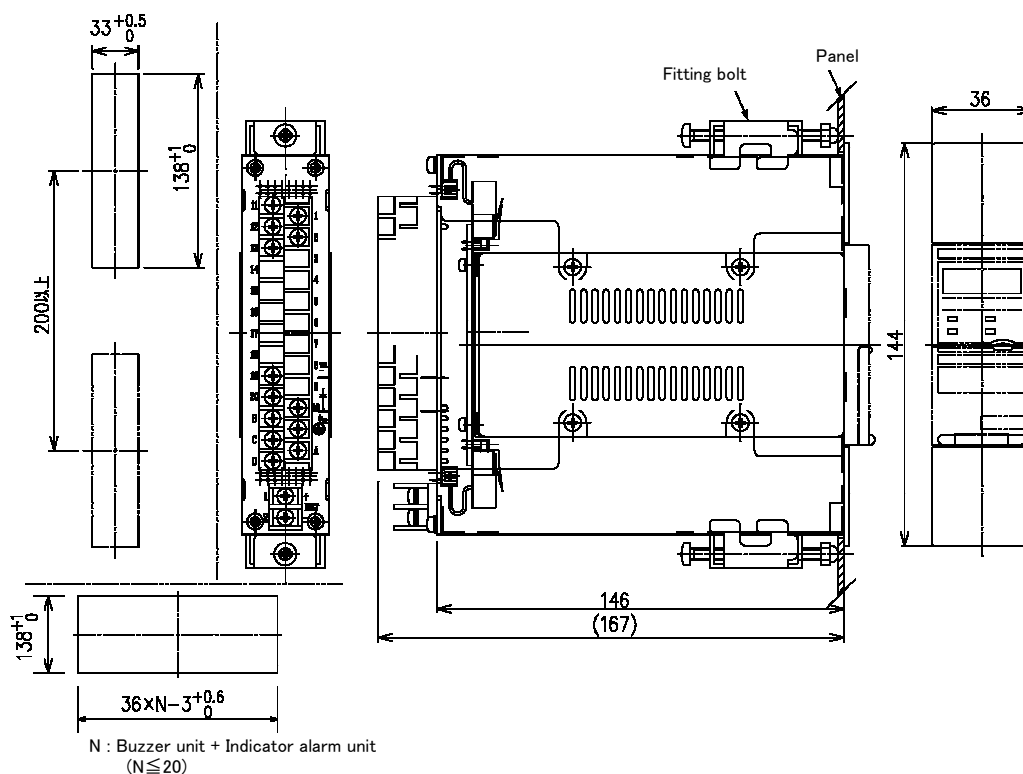


SINGLE CASE 590-SR SPECIFICATION

Structure	Panel mounting type
Dimensions	Approx. 36 (W) x 144 (H) x 167 (D) mm
Weight	Approx. 0.5kg
Color	Black

Drawing



Terminal signals (M3 x 27P)

*Buzzer unit

Operation signal	No.	Operation signal
Power input +	(11) (1)	Relay output
(DC24V) -	(12) (2)	for total 1st alarm
Reset signal output	(13) (3)	Signal input
		for buzzer stop
Alarm input	(14) (4)	Signal input for reset
Relay output	(15) (5)	Vacant terminal
for total trouble alarm	(16) (6)	Common for 3,4
Vacant terminal	(17) (7)	Relay output
Signal Input for trouble	(18) (8)	for total 2nd alarm
Vacant terminal	(19) (9)	Vacant terminal
Common for 13	(20) (10)	
Signal input for 1st alarm	B \perp	Earth
Signal input for 2nd alarm	C A	Signal output
		for buzzer stop
Signal input for trouble alarm	D \perp	
	1	+ I/O for network
	2	-

*Indicator alarm unit

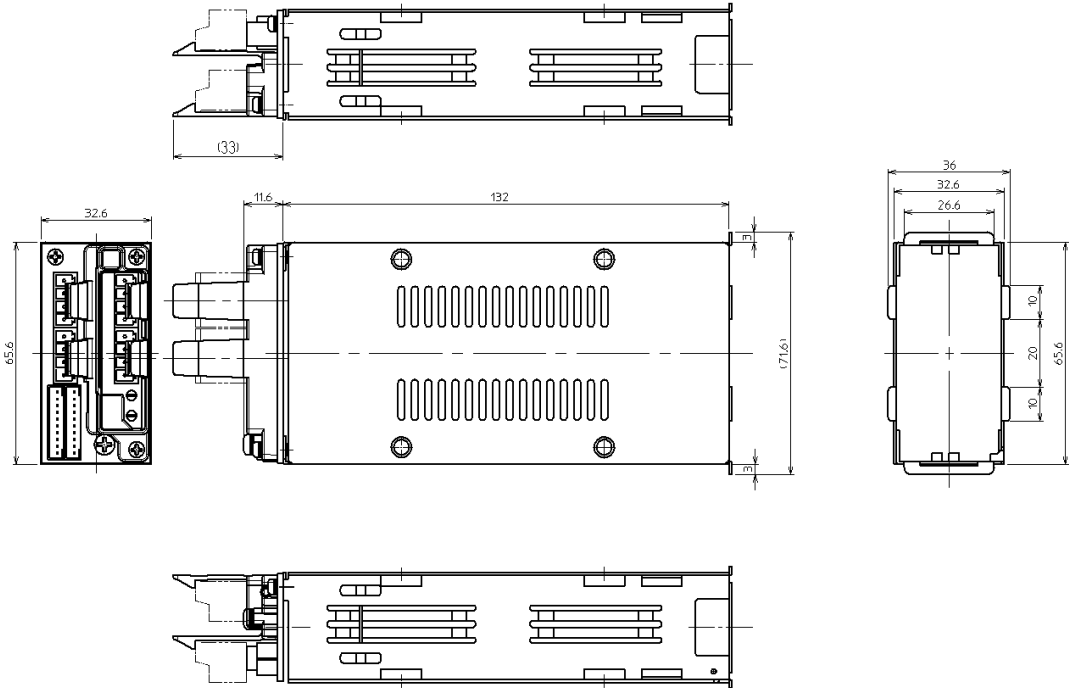
Operation signal	No.	Operation signal
Power input +	(11) (1)	Relay output
-	(12) (2)	for 1st alarm
Reset signal input	(13) (3)	Detector
Alarm output	(14) (4)	
Relay output	(15) (5)	
for trouble alarm	(16) (6)	
Vacant terminal	(17) (7)	Relay output
Signal output for trouble	(18) (8)	for 2nd alarm
Vacant terminal	(19) (9)	+ DC 4~20mA output
Common for 13	(20) (10)	-
Signal output for 1st alarm	B \perp	Earth
Signal output for 2nd alarm	C A	Signal input
		for buzzer stop
Signal output for trouble alarm	D \perp	
	1	+ I/O for network
	2	-

SIGLE CASE
590-SRI SPECIFICATIONS

Suitable model : RM-590 series Indicator Alarm Unit
 Structure : Panel mounting type
 Dimensions · Weight : Approx. 36.0 (W) × 71.6 (H) × 165 (D) mm · Approx. 0.3kg
 Outer connection cable: 0.14~1.5sq (Miss insert preventive pin method by Exclusive connector)
 Terminals :

TERMINAL	No.	SIGNAL		TERMINAL	No.	SIGNAL	
T D 1	①	24V	+	T D 3	①	AL1	1st ALARM CONTACT
	②		+ POWER SUPPLY		②		
	③	GND	- (DC24V±10%)		③	AL2	2nd ALARM CONTACT
	④		-		④		
T D 2	①	3	DETECTOR HEAD③	T D 4	①	TR	TROUBLE ALARM CONTACT
	②	4	DETECTOR HEAD④		②		
	③	5	DETECTOR HEAD⑤		③	4-20	+ - DC 4-20mA OUTPUT
	④	6	DETECTOR HEAD⑥		④		
				FG	EARTH		

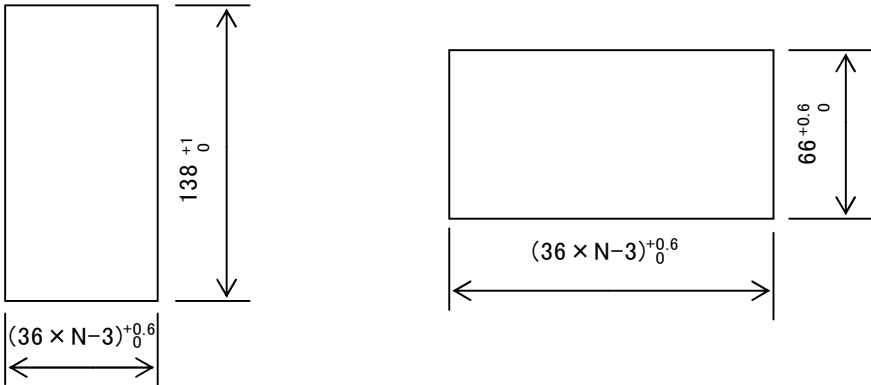
Drawings :



Panel cut dimension

Two steps in length N rows in side

one step in length N rows in side



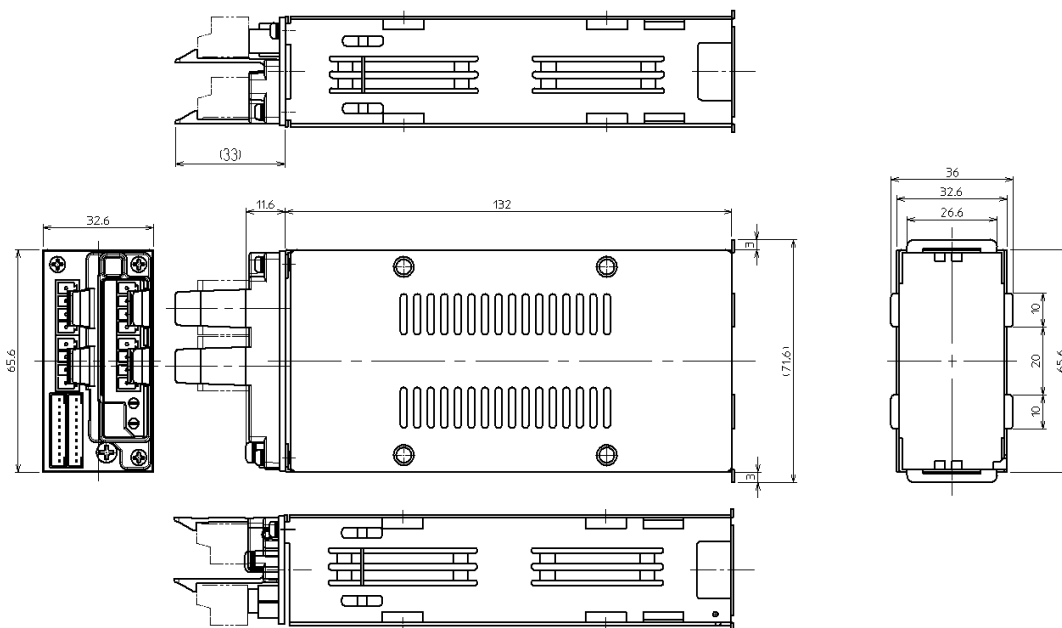
SINGLE CASE
590-SRT SPECIFICATION

Model	590-SRT
Applicable unit	RM-590 series Buzzer unit
Structure	Panel mounting type
Outer dimensions	Approx. 36.0(W) x 71.6(H) x 165.0(D) mm
Weight	Approx. 0.3kg
Outer connection cable	0.14 - 1.5sq (Miss insert preventive pin method by Exclusive connector)

Terminals

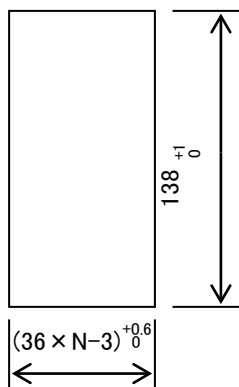
TERMINAL	No.	SIGNAL		TERMINAL	No.	SIGNAL	
T D 1	①	24V	+	T D 3	①	AL1	1st COMMON ALARM CONTACT
	②		+		②		OUTPUT
	③	GND	-		③	AL2	2nd COMMON ALARM CONTACT
	④		-		④		OUTPUT
T D 2	①	B. S	EXTERNAL BUZZER STOP SIGNAL INPUT	T D 4	①	TR	COMMON TROUBLE ALARM CONTACT
	②	RES	EXTERNAL RESET SIGNAL INPUT		②		CONTACT
	③	TEST	NOT USED		③	NET	NETWORK INPUT/OUTPUT (OPTION)
	④	COM	COM (for B. S, RES)		④		CONTACT
					FG		GROUNDING TERMINAL

Outline Drawings

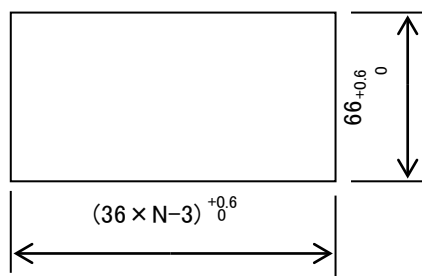


Panel cut dimension

Two steps in length N rows in side



one step in length N rows in side

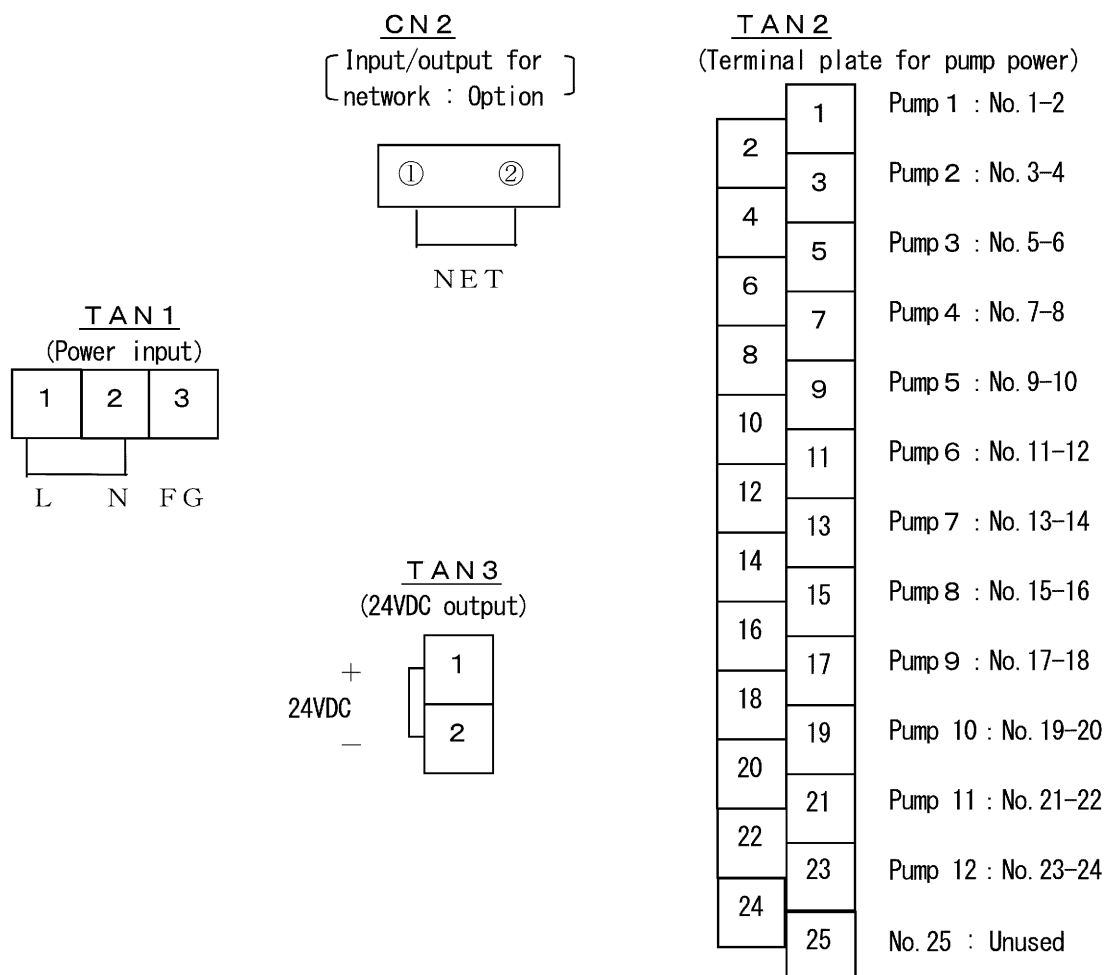


MULTI CASE

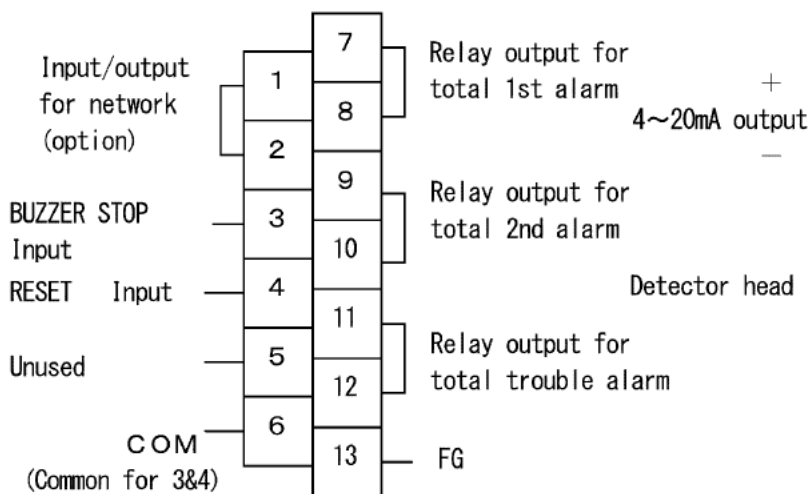
590-□□W SPECIFICATION

Model	590-04W / 590-06W / 590-09W / 590-12W
Applicable unit	Indicator/alarm unit for RM-590 series and TAN-590
Structure	Wall mounting, unit coupling method
Number of coupling unit	Zero (Up to 12 indicator/alarm units)
Power supply	100 - 240VAC, 50/60Hz
Power consumption	Max. 250VA (including 12 indicator/alarm units)
Output	24VDC, Max. 10W, 100 - 240VAC, 50VA (for pump)
Fuse	250V 5A T (for power source), 250V 2A T (for pump)
External terminal	Screw type (3mm)
Dimensions and weight	590-04W : Approx. 261 (W) × 260 (H) × 155.6 (D)mm Approx. 5.7kg 590-06W : Approx. 334 (W) × 260 (H) × 155.6 (D)mm Approx. 7.1kg 590-09W : Approx. 443 (W) × 260 (H) × 155.6 (D)mm Approx. 9.2kg 590-12W : Approx. 552 (W) × 260 (H) × 155.6 (D)mm Approx. 11.3kg

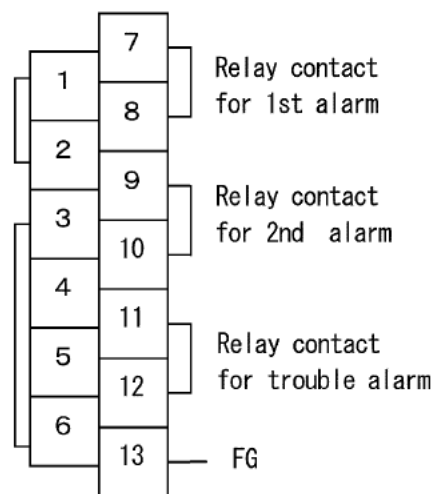
Power unit



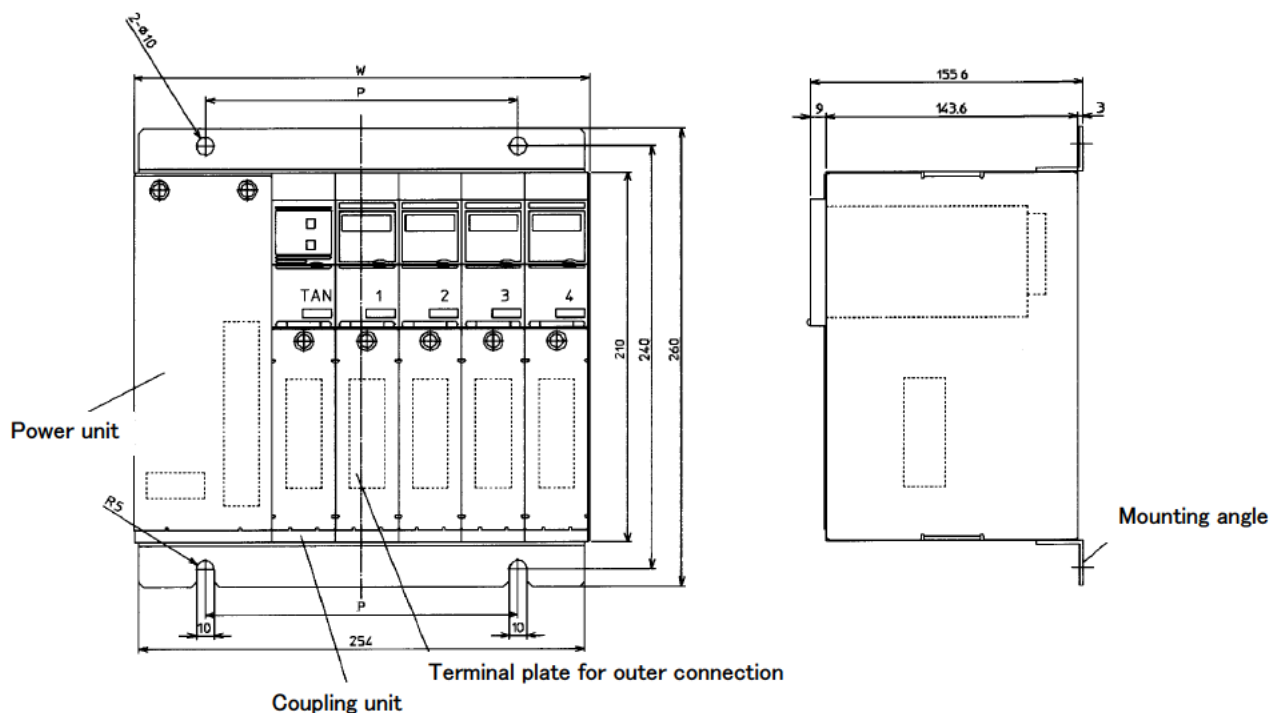
Terminal plate of buzzer unit



Terminal place of indicator/alarm unit



Outline Drawings



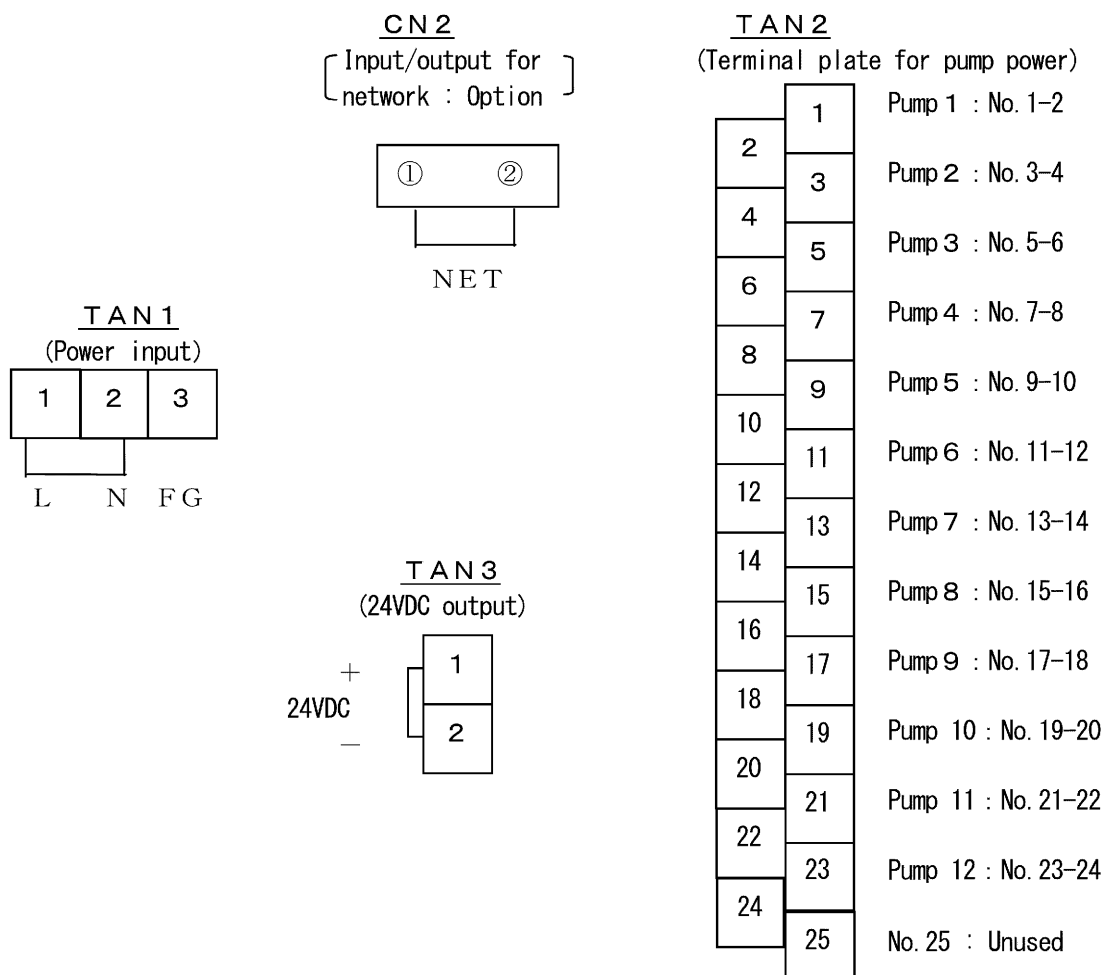
Unit point Dimensions (mm)	□	□	□	□	□	□	□	□	□	□	□
	2	3	4	5	6	7	8	9	10	11	12
W	189	225	261	298	334	370	407	443	479	516	552
P	106	142	178	214	250	286	322	366	402	438	474

MULTI CASE

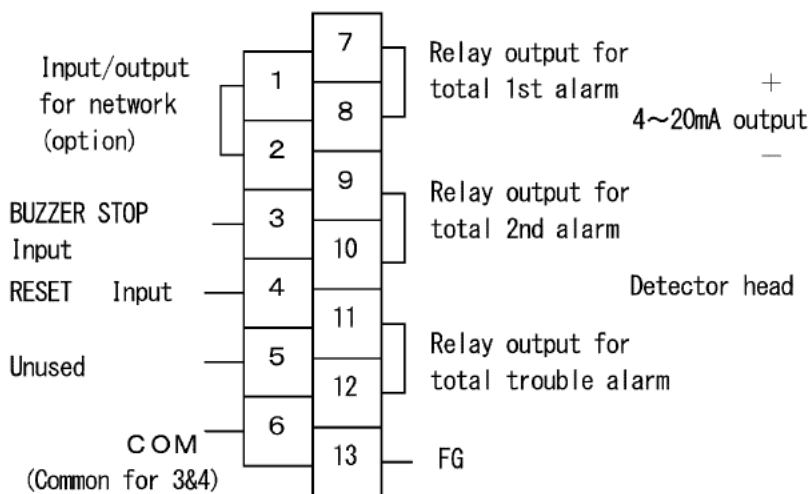
590-□□R SPECIFICATION

Model	590-04R / 590-06R / 590-09R / 590-12R
Applicable unit	Indicator/alarm unit for RM-590 series and TAN-590
Structure	Rack mounting, unit coupling method
Number of coupling unit	Zero (Up to 12 indicator/alarm units)
Power supply	100 - 240VAC, 50/60Hz
Power consumption	Max. 250VA (including 12 indicator/alarm units)
Output	24VDC, Max. 10W, 100 - 240VAC, 50VA (for pump)
Fuse	250V 5A T (for power source), 250V 2A T (for pump)
External terminal	Screw type (3 mm)
Dimensions and weight	590-04R : Approx. 261 (W) × 260 (H) × 153 (D) mm Approx. 5.7kg 590-06R : Approx. 334 (W) × 260 (H) × 153 (D) mm Approx. 7.1kg 590-09R : Approx. 443 (W) × 260 (H) × 153 (D) mm Approx. 9.2kg 590-12R : Approx. 552 (W) × 260 (H) × 153 (D) mm Approx. 11.3kg

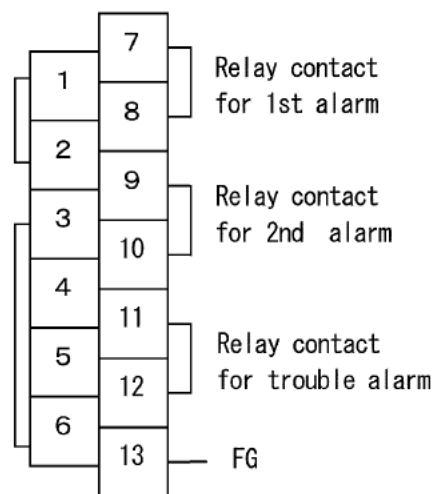
Power unit



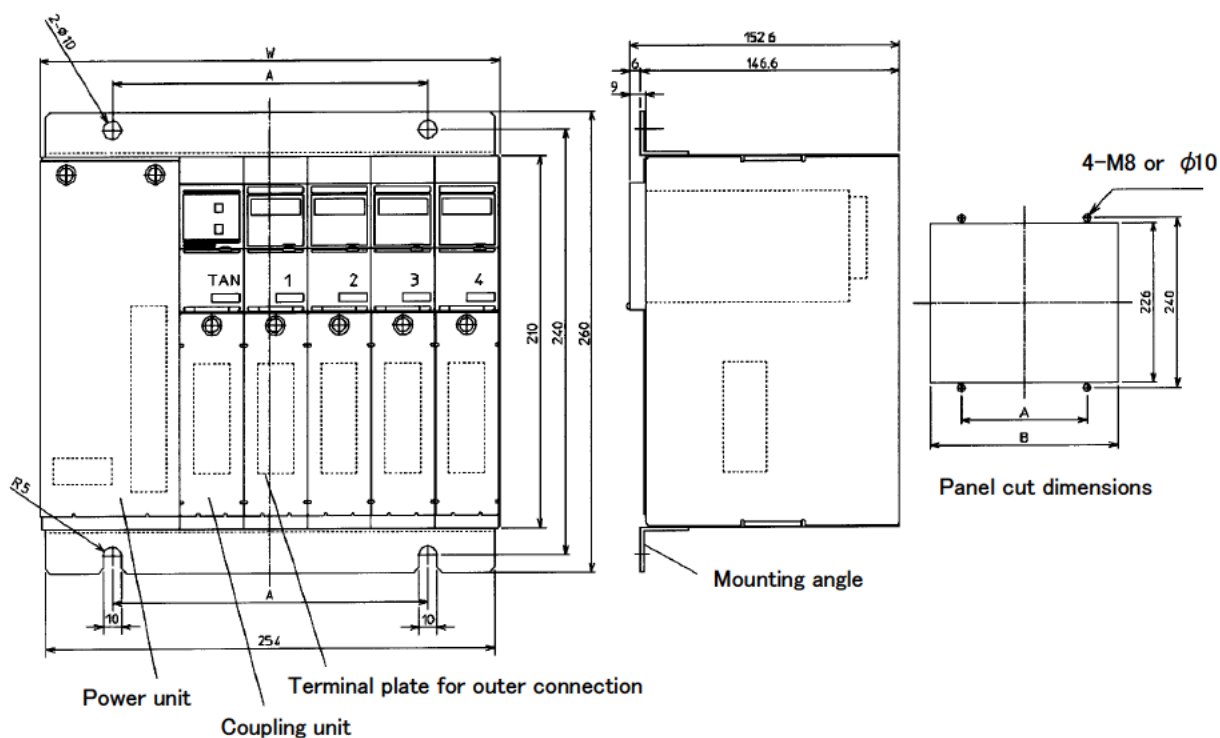
Terminal plate of buzzer unit



Terminal place of indicator/alarm unit



Outline Drawings

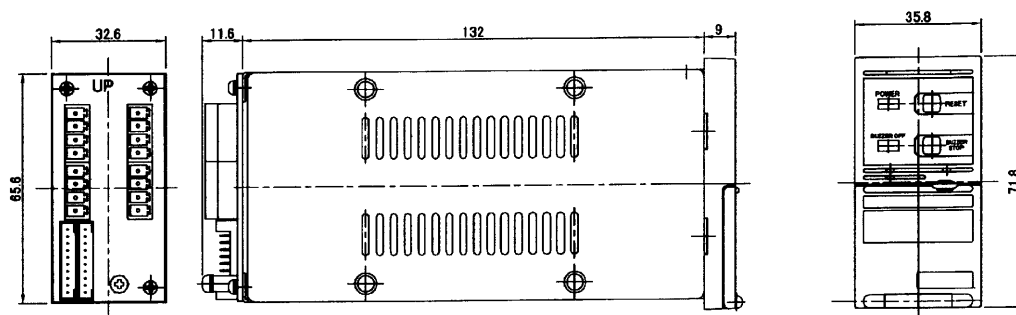


Unit point Dimensions (mm)	□	□	□	□	□	□	□	□	□	□	□
	2	3	4	5	6	7	8	9	10	11	12
W	189	225	261	298	334	370	407	443	479	516	552
A	106	142	178	214	250	286	322	366	402	438	474
B	191	227	263	300	336	372	409	445	481	518	554

BUZZER UNIT TAN-590 SPECIFICATION

Model	TAN-590
Power supply	24VDC \pm 10%
Power cable	CVV 2-core or equivalent
Power consumption	Max. 2W (when single case is used.) or Max. 3.5VA (when multi case is used.)
Common gas alarm action	Latched mode (Standard) or Non-latched mode (Option)
1st alarm	Voltage free contact 1a (standard) or 1b (Option) Non-exciting at normal (Standard) or Exciting at normal (option)
2nd alarm	Voltage free contact 1a (standard) or 1b (Option) Non-exciting at normal (Standard) or Exciting at normal (option)
Buzzer	Steady tone, released after reset
Common trouble alarm action	Non-latched mode
Alarm contact	Voltage free contact 1a (standard) or 1b (Option) Non-exciting at normal (Standard) or Exciting at normal (option)
Contact rating	0.5A at 100VAC, 1.5A at 30VDC (Resistive load)
Buzzer	Steady tone, released after reset
Buzzer action	ON at Red LED (Buzzer OFF) off, OFF at Red LED on.
Operating temperature	0 - +40°C
Operating humidity	10 - 90%RH (Non-condensing)
Structure	Housing type for the case, front identification card type (Stored in a single case or multiple cases)
Dimensions	Approx. 36(W) x 72(H) x 134(D) mm
Weight	Approx. 0.1kg (Unit only)

Outline Drawings



BUZZER UNIT **TAN-590L SPECIFICATION**

Model	TAN-590L
Power supply	24VDC \pm 10%
Power cable	CVV 2-core or equivalent
Power consumption	Max. 2W (when single case is used.) or Max. 3.5VA (when multi case is used.)
Common gas alarm action	Lock-in
1st alarm	Voltage free contact 1a(standard) or 1b(Option) Non-exciting at normal (Standard) or Exciting at normal (option)
2nd alarm	Voltage free contact 1a(standard) or 1b(Option) Non-exciting at normal (Standard) or Exciting at normal (option)
Buzzer	Steady tone, released after buzzer stop
Common trouble alarm action	Non-latched mode
Alarm contact	Voltage free contact 1a(standard) or 1b(Option) Non-exciting at normal (Standard) or Exciting at normal (option)
Contact rating	0.5A at 100VAC, 1.5A at 30VDC (Resistive load)
Buzzer	Steady tone, released after buzzer stop
Buzzer action	ON at Red LED (Buzzer OFF) off, OFF at Red LED on.
Operating temperature	0 - +40°C
Operating humidity	10 - 90%RH (Non-condensing)
Structure	Housing type for the case, front identification card type (Stored in a single case or multiple cases)
Dimensions	Approx. 36(W) x 72(H) x134(D) mm (only unit)
Weight	Approx. 0.1 kg (Unit only)

Outline Drawings

